

DIAPHRAGM



2107 SERIES

PRESSURE/VACUUM (AC VOLTAGE)

BASE MODELS

AC Voltage

2107A18XSTLNXX

(115/60/1)

2107DU18XSTLNXX

(220-230/50/1)

CUSTOM CONFIGURED OPTIONS

AC Voltage

- Stroke (Flow and/or pressure)
- Electrical Cord
- Fan Guard
- Protective Coating

AFTERMARKET SERVICE KITS

SK107MAJN (Nordel)
(Services one compressor end)



2107 AC Series

FEATURES (BENEFITS)

- Oil-less operation (Clean air stream, less maintenance)
- Permanently lubricated bearings (Optimum life)
- Stainless steel valves (Optimum life, consistent performance, corrosion resistance)
- Die-cast aluminum components (Strong, lightweight, durable)
- Dynamically balanced (Low operating vibration)
- Durable diaphragm design (Optimum life)
- Field service capability (Maximum return on investment)
- Thermally protected motor (Fail-safe operation)
- Designed and tested per Agency standards (Fail-safe operation)
- Inlet filter/exhaust muffler (Quiet, clean operation)
- RoHS compliant (Green, eco-friendly)

Declaration documentation for applicable models available upon request

**Qualified OEM designers should
consult factory for purchase or custom configurations**

Thomas Division is an ISO 9001 registered company

THOMAS
A Gardner Denver Product

USAThomas.com

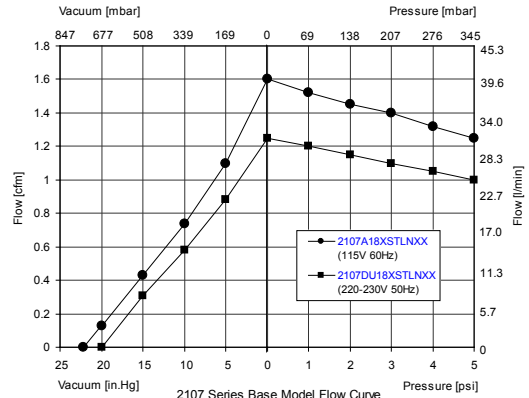
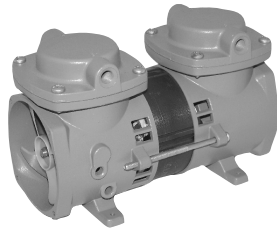
(800) 799-4568 | 3810 Prospect Ave, Ste. A, Yorba Linda, CA 92886



Diaphragm 2107 AC Series



Flow 1.5 cfm (42.5 l/min)
Max. pressure 5 psi (0.34 bar)
Max. vacuum 75% local barometer

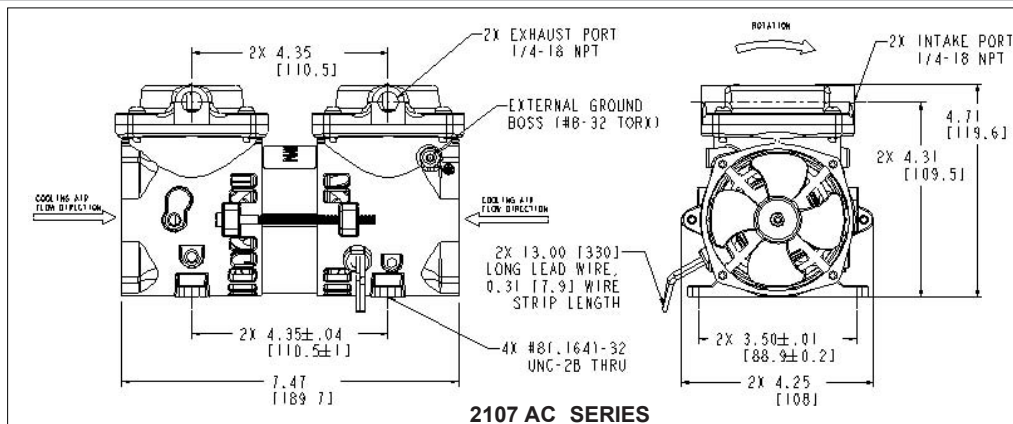


Note: All performance data representative of parallel pressure or vacuum flow, i.e. exhaust or intake ports configured together by customer supplied T-tube. Consult factory for performance for independent pressure/vacuum applications.

Model Number	2107A18XSTLNXX	2107DU18XSTLNXX
Performance Data		
Head configuration	Pressure/vacuum	Pressure/vacuum
Stroke	0.18 in (4.57 mm)	0.18 in (4.57 mm)
Nominal voltage/frequency	115/60/1	220-230/50/1
Maximum open air flow	1.5 cfm (42.5 l/min)	1.2 cfm (34.0 l/min)
Maximum operating pressure	5 psi (0.34 bar)	5 psi (0.34 bar)
Current at rated pressure	1.7A	0.8A
Power at rated pressure	122W	111W
Speed at rated pressure	1591 rpm	1336 rpm
Maximum pressure restart	Consult factory	Consult factory
Maximum vacuum	75% local barometer	70% local barometer
Maximum vacuum restart	Consult factory	Consult factory
Electrical Data		
Motor type	Shaded pole	Shaded Pole
Motor in-rush current	2.6A	1.3A
Motor insulation class	B	B
Thermal switch [Open temperature]	Yes [275°F (135°C)]	Yes [284°F (140°C)]
Line lead wire color, gauge	White/white, 18 AWG	Red/white, 18 AWG
General Data		
Operating ambient air temperature	50° to 104°F (10° to 40°C)	50° to 104°F (10° to 40°C)
Safety certification	UL	Consult factory
Net weight	6.0 lbs (2.7 kg)	6.0 lbs (2.7 kg)

Product Dimensions

Dual Dimensions: in[mm]



2107 SERIES

©2011 Gardner Denver Thomas, Inc. All rights reserved. Form No. 850-4001 12/14

The information presented in this material is based on technical data and test results of nominal units. It is believed to be accurate and reliable and is offered as an aid to help in the selection of the Thomas Division products. It is the responsibility of the user to determine the suitability of the product for its intended use and the user assumes all risk and liability whatsoever in connection therewith. Thomas Division does not warrant, guarantee or assume any obligation or liability in connection with this information. **NOTE:** Models pictured are representative of the series and do not represent a specific model number. Consult factory for detailed physical description.